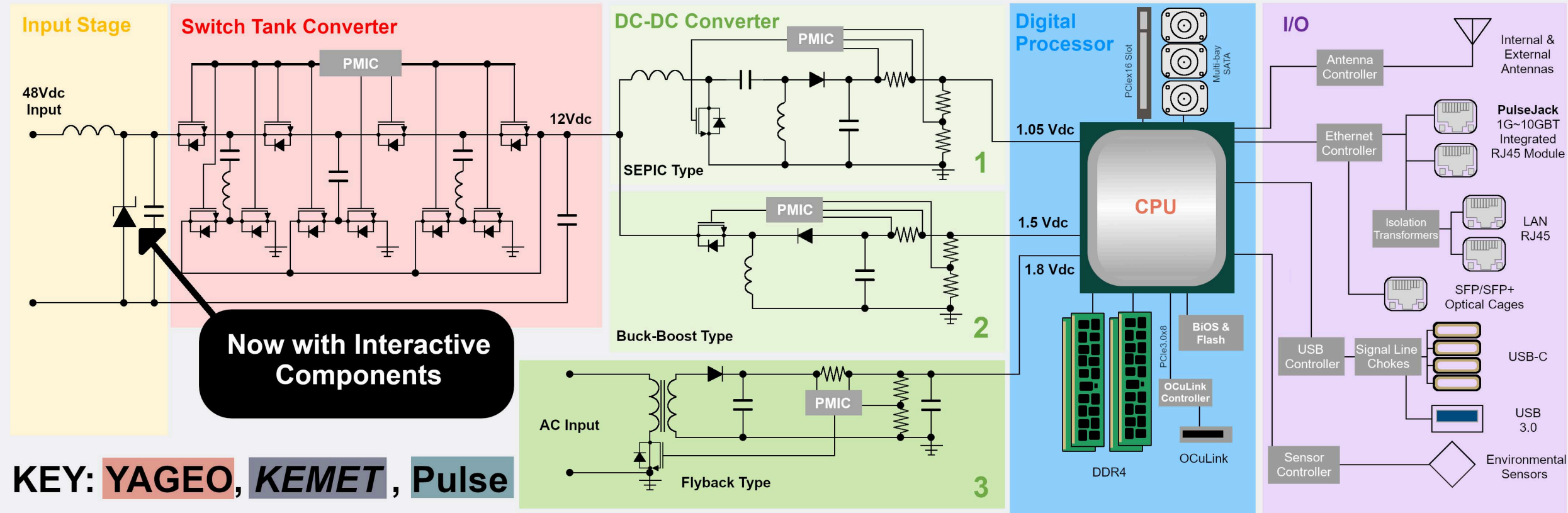


# Digital Architecture Passive Components

<b>TVS DIODES</b> 	<b>INDUCTORS</b> 	<b>BULK CAPACITORS</b> Tan Poly Al Poly & Hybrid Ceramic Ceramic	<b>ISOLATION TRANSFORMERS</b> 	<b>CURRENT SENSE RESISTORS</b> 	<b>FLEX SUPPRESSOR</b> 	<b>RF CAPACITORS</b> High Q CBR Ceramic 	<b>ANTENNAS</b> Indoor, Outdoor, External & Vehicular 	<b>IPD RF Components</b> 
-----------------------	----------------------	--	-----------------------------------	------------------------------------	----------------------------	--	---	------------------------------



**KEY: YAGEO, KEMET, Pulse**

<b>RESONANT CAP</b> MLCC U2J & X7R 	<b>RESONANT INDUCTORS</b> 	<b>DC-LINK</b> Tan Poly Al Poly & Hybrid Ceramic Ceramic	<b>PRECISION VOLTAGE RESISTORS</b> 	<b>LAN Transformers</b> 	<b>Signal Line Chokes</b> 	<b>PulseJacks (RJ45 ICM)</b> 	<b>CONNECTORS</b> USBx, RJ45, & SFP Cages 	<b>SENSORS</b> Proximity, Current, Vibration, Temp, IR 
---	-------------------------------	--	--	-----------------------------	-------------------------------	----------------------------------	---	--