

Shielded Compact Waterproof Connector

LF Series

All features, all-in-one.

5 Merits of Choosing LF for Industrial Applications





Compact



Robust



Waterproof



Shield



High Speed

LF Series Product Page

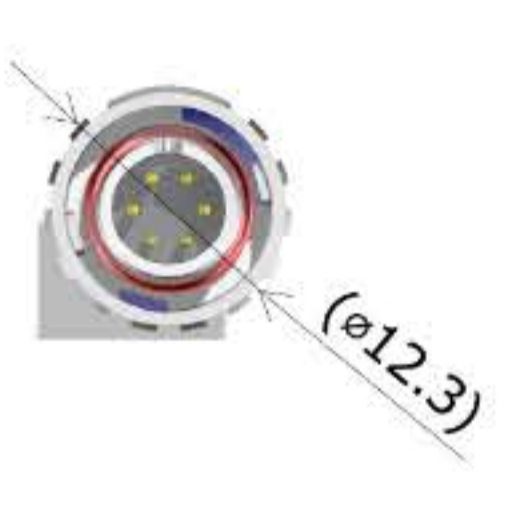
Inquiry

5 Merits of Choosing LF for Industrial Applications

1. Compact

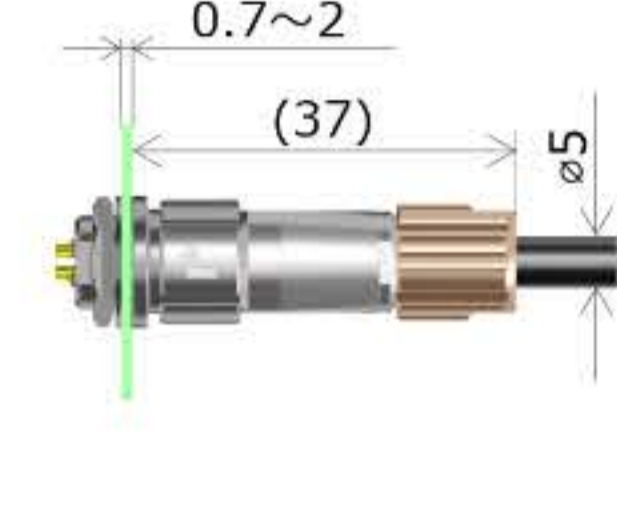
The metal shell provides a shielding design while reducing size. There are 3 different shell sizes: LF07, LF10, and LF13.

Max Outer Diameter (LF07)



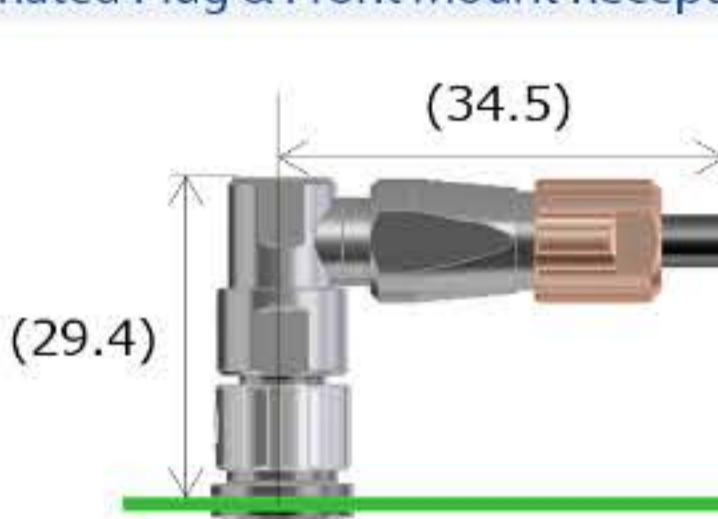
(ø12.3)

Straight (LF07)
Mated Plug & Front Mount Receptacle



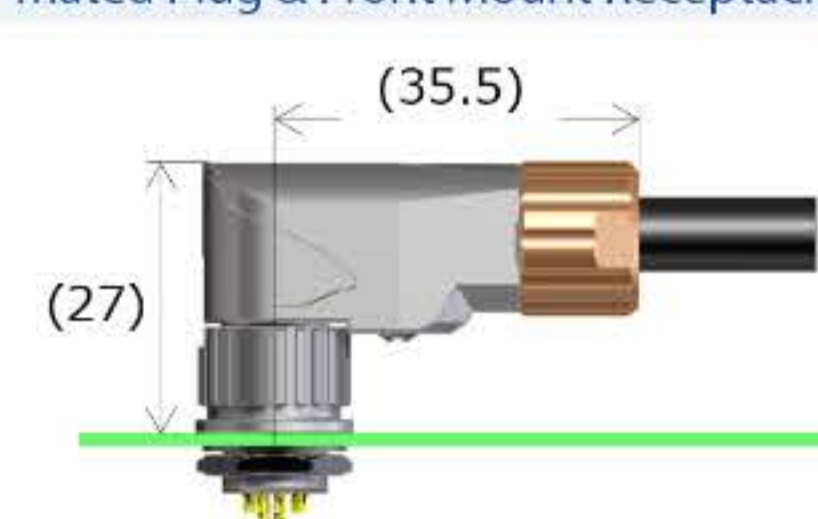
0.7~2
(37)
15

Right Angle (LF07)
Mated Plug & Front Mount Receptacle



(34.5)
(29.4)

Low Profile Right Angle (LF10)
Mated Plug & Front Mount Receptacle



(35.5)
(27)

Dimensions differ when mated with the back mount type.

2. Robust Metal Shell Design

Robust connector made with a metal shell for durability in industrial equipment environments.



Prying Force

Mating Durability
1,000 times

Vibration and Impact Resistance

3. IPX7/IPX8 Compliant Waterproof Performance (Mated Condition)

Compliant with IPX7 or IPX8, this product can be used safely even in places where the connector may get wet.



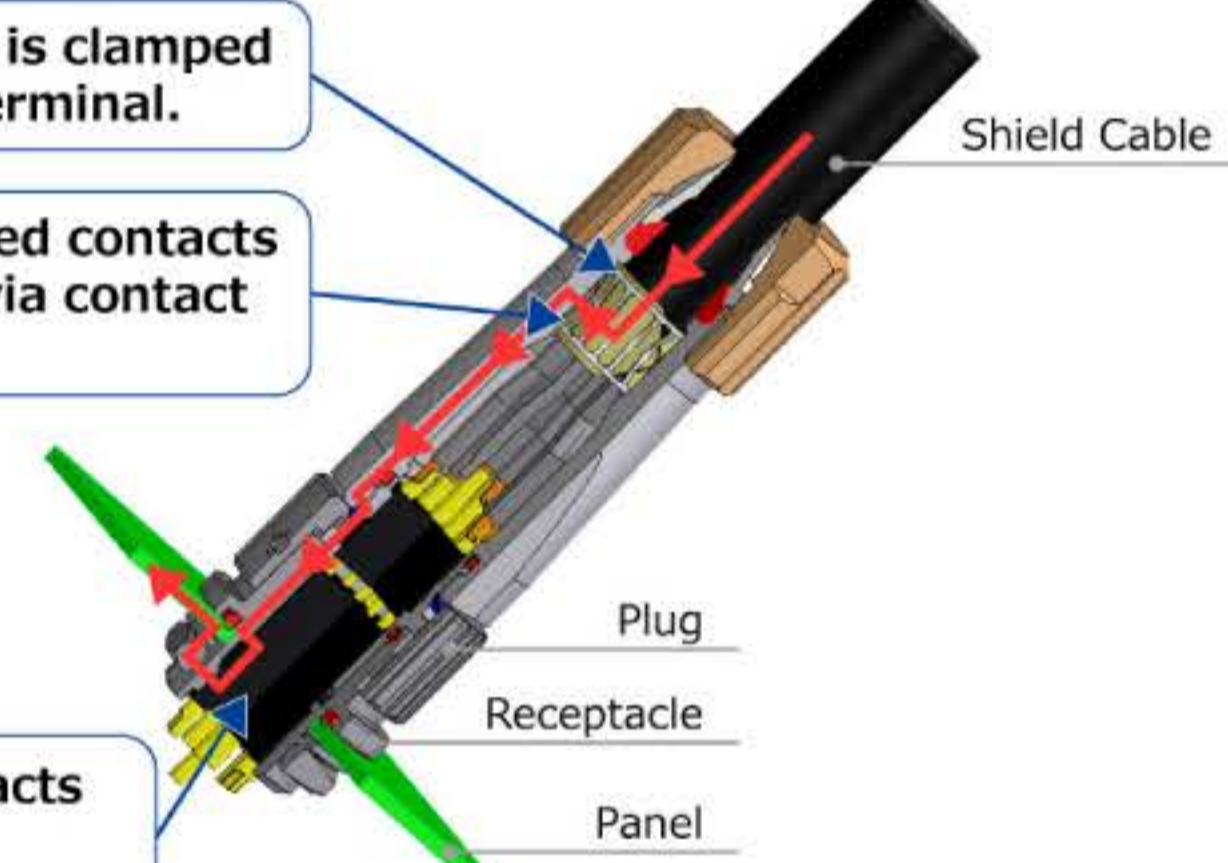
IPX7/IPX8
Waterproof

IPX8 Test Conditions:
No water intrusion, while submerged at a water depth of 2 meters for 14 days in mated condition.

4. Shield Design Guarantees Noise Prevention

The folded shield braid is secured with a ground terminal. Additionally, the shield braid contacts the plug via a contact spring. At the mated portion, the contact springs ensure that the plug tip and receptacle sheath are in contact and prevent noise.

- 1 Braided shield is clamped with ground terminal.
- 2 Braided shielded contacts plug housing via contact spring.
- 3 Tip of the plug contacts receptacle shell via contact spring.



Shield Cable
Plug
Receptacle
Panel

5. High Speed Transmission

Meets Cat.5e (1Gbps) and Cat.6A (10Gbps) specifications; Ethernet enabled.
*12pos. connectors support Cat.5e, 8pos. connectors support Cat.6A.

Others (Lock Design)

Excellent Operability with Bayonet Lock and Large Sleeve

Compared to screw fastening, the bayonet lock has much easier operation with one touch attachment and removal.

Wide mating guide



Sleeve Hood

Mating mark

Product Lineup

Plug

✓: Available
※: Custom product, a minimum order quantity may apply. Please contact our sales representative.

Shell Size	No. of Pos.	Usage	Contact	Safety Standard	Solder				Crimp				
					Standard	Easy Lock	Right Angle	Low Profile Right Angle	Standard	Easy Lock	Right Angle	Low Profile Right Angle	
LF07	3pos.	Power	Male	UL	✓	※	※	※	※	※	※	※	※
			Female	UL	✓	※	※	※	※	※	※	※	※
	6pos.	Signal	Male	-	✓	※	※	※	※	※	※	※	※
			Female	-	✓	※	※	※	※	※	※	※	※
Hybrid 6pos.	Power + Signal 2pos. + 4pos.	Male	-	✓	※	※	※	※	※	※	※	※	
		Female	-	✓	※	※	※	※	※	※	※	※	
LF10	4pos.	Power	Male	UL, TÜV	✓	✓	※	※	※	※	※	※	※
			Female	UL, TÜV	✓	✓	※	※	※	※	※	※	※
	12pos.	Signal	Male	-	✓	✓	✓	✓	※	※	※	※	※
			Female	-	✓	✓	✓	✓	※	※	※	※	※
8pos.	High Speed (Cat.6A)	Male	-	※	※	※	※	✓	※	※	※	※	
LF13	Hybrid 11pos.	Power + Signal 4pos. + 7pos.	Male	UL	✓	※	✓	※	※	※	※	※	※
			Female	UL	✓	※	✓	※	※	※	※	※	※
	20pos.	Signal	Male	-	✓	※	✓	※	✓	※	※	※	※
			Female	-	✓	※	✓	※	✓	※	※	※	※

* A black chrome finish with improved corrosion resistance is available upon request.
Some products have been available, so please contact our sales representative.
Please note that the black chrome version does not have the shielding features.

Receptacle & Receptacle Cap

✓: Available
※: Custom product, a minimum order quantity may apply. Please contact our sales representative.

Shell Size	No. of Pos.	Usage	Contact	Safety Standard	Receptacle*1				Receptacle Cap					
					Solder		DIP		Crimp		Without Chain*2	With Chain	Rubber	
					Front Mount	Rear Mount	Front Mount	Rear Mount	Front Mount	Rear Mount				
LF07	3pos.	Power	Male	UL	✓	※	※	※	※	※	※		※	✓
			Female	UL	✓	※	※	✓	※	※	※		※	
	6pos.	Signal	Male	-	✓	※	※	※	※	※	※	✓	※	✓
			Female	-	✓	※	※	✓	※	※	※		※	
Hybrid 6pos.	Power + Signal 2pos. + 4pos.	Male	-	※	※	※	✓	※	※	※		※		
		Female	-	※	※	※	✓	※	※	※		※		
LF10	4pos.	Power	Male	UL, TÜV	✓	✓	※	※	※	※	※	✓	※	✓
			Female	UL, TÜV	✓	✓	※	※	✓	✓	※		※	
	12pos.	Signal	Male	-	✓	✓	※	✓	✓	※	※		※	
			Female	-	✓	✓	※	✓	✓	※	※		※	
8pos.	High Speed (Cat.6A)	Female	-	-	-	※	✓	※	※	※	✓	※	✓	
LF13	Hybrid 11pos.	Power + Signal 4pos. + 7pos.	Male	UL	✓	✓	※	※	※	※	※		✓	✓
			Female	UL	✓	✓	※	※	※	※	※		✓	✓
	20pos.	Signal	Male	-	✓	✓	※	※	※	✓	※		✓	✓
			Female	-	✓	✓	※	✓	※	✓	※		✓	✓

*1 Black chrome type with excellent corrosion resistance is also available.
*2 These caps can be used for jacks.

Jack

✓: Available
※: Custom product, a minimum order quantity may apply. Please contact our sales representative.

Shell Size	No. of Pos.	Usage	Contact	Safety Standard	Solder	Crimp
LF07	3pos.	Power	Male	UL	✓	※
			Female	UL	✓	※
	6pos.	Signal	Male	-	✓	※
			Female	-	✓	※
Hybrid 6pos.	Power + Signal 2pos. + 4pos.	Male	-	※	※	
		Female	-	※	※	
LF10	4pos.	Power	Male	UL, TÜV	✓	※
			Female	UL, TÜV	✓	※
	12pos.	Signal	Male	-	✓	※
			Female	-	✓	※
8pos.	High Speed (Cat.6A)	Female	-	-	✓	
LF13	Hybrid 11pos.	Power + Signal 4pos. + 7pos.	Male	UL	✓	※
			Female	UL	✓	※
	20pos.	Signal	Male	-	✓	※
			Female	-	✓	※

* A black chrome finish with improved corrosion resistance is available upon request.
Some products have been available, so please contact our sales representative.
Please note that the black chrome version does not have the shielding features.

Inquiry